

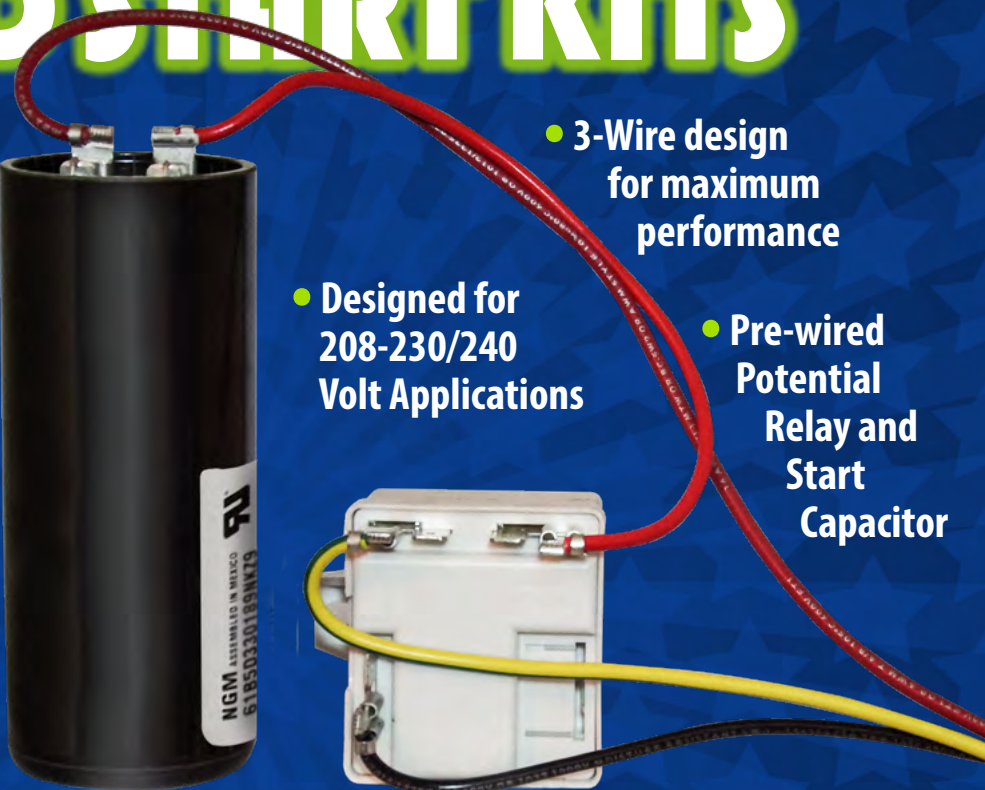


"Solving Today's HVAC Problems"

HARD START KITS

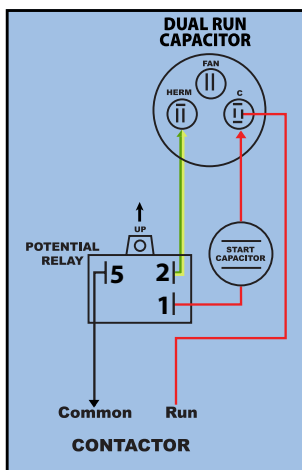
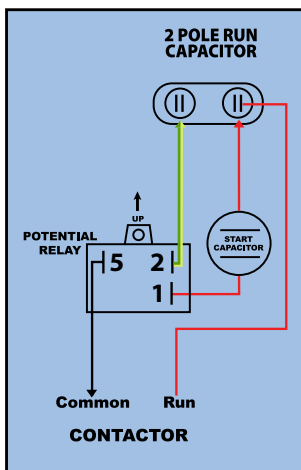
Three Wire Hard Start Kits from Airstar Supply feature start capacitors and relays that provide reliable overall performance and faster compressor start times.

Hard Start Kits work to help compressors start quicker and to reduce compressor winding overloads that can contaminate refrigerants causing unwanted premature failures.



- 3-Wire design for maximum performance
- Designed for 208-230/240 Volt Applications
- Pre-wired Potential Relay and Start Capacitor

- Reduces start time by 30%



CROSS REFERENCE

BMI No.	Supco	Packard	Kickstart	Diversitech	CPS Products, Inc.
32715	3W1	TQS1	TO-5	HSK5	CSR U1
32716	3W2	TQS2	KS-1	HSK1	CSR U2
32717	3W3	-	-	-	CSR U3

BMI No.	VOLTS	DESCRIPTION
32715	208-230/240	Max. Torque 1-2-3 Ton
32716	208-230/240	Max. Torque 3.5 to 5 Ton
32717	208-230/240	Max. Torque 4 to 5 Ton

The **Hard Start Kit** has been pre-wired. There are only **3 color coded wires** that need to be connected. The **Black Wire** connects to the Common Side of the compressor. The **Striped Wire** connects to the Start Winding of the compressor and the **Red Wire** connects to the Run Winding of the compressor.

Airstar Supply • South Florida Location & Melbourne Beach Satellite Office
 a division of Airstar Solutions, Inc. **561.989.8080 • info@airstarsupply.com • www.airstarsupply.com**